

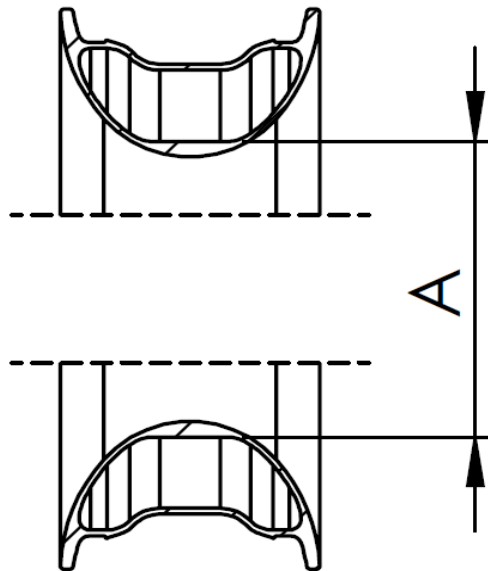
Item Nr	EAN	Item Name	A Spoke support diameter in mm	MG Washer required*
ROAD				
90018	4054571041289	NEWMEN Rim Advanced SL R.38 622 24h	564	no
90272	4054571044068	NEWMEN Rim Evolution SL R.25 622 24h	587	yes
90271	4054571044051	NEWMEN Rim Evolution SL R.32 622 24h	573	yes
90724	4054571186126	NEWMEN Rim Evolution SL X.R.25 29" 28h blk/gry	602	yes

MTB/Ebike				
Performance (alloy)				
90772	4054571189127	NEWMEN Rim Performance 25 27,5" 28h/ 32h	559	no
90770	4054571189103	NEWMEN Rim Performance 25 29" 28h/ 32h	597	no
90776	4054571189165	NEWMEN Rim Performance 30 27,5" 28h/ 32h	554	no
90774	4054571189141	NEWMEN Rim Performance 30 29" 28h/ 32h	592	no
90780	4054571189202	NEWMEN Rim Performance 35 27,5" 28h/ 32h	549	no
90778	4054571189189	NEWMEN Rim Performance 35 29" 28h/ 32h	587	no
Evolution (alloy)				
90011	4054571041210	NEWMEN Rim Evolution SL X.A.25 27,5" 28h/ 32h	564	yes
90014	4054571041241	NEWMEN Rim Evolution SL X.A.25 29" 28h/ 32h	602	yes
90012	4054571041227	NEWMEN Rim Evolution SL A.30 27,5" 28h/ 32h	559	yes
90015	4054571041258	NEWMEN Rim Evolution SL A.30 29" 28h/ 32h	597	yes
90013	4054571041234	NEWMEN Rim Evolution SL A.35 27,5" 28h/ 32h	554	yes
90016	4054571041265	NEWMEN Rim Evolution SL A.35 29" 28h/ 32h	592	yes
90276	4054571044105	NEWMEN Rim Evolution E.G.30 27,5" 28h/ 32h	560	yes
90275	4054571044099	NEWMEN Rim Evolution E.G.30 29" 28h/ 32h	598	yes
90274	4054571044082	NEWMEN Rim Evolution E.G.35 27,5" 28h/ 32h	555	yes
90273	4054571044075	NEWMEN Rim Evolution E.G.35 29" 28h/ 32h	593	yes
Evolution (alloy)				
90738	4054571186362	NEWMEN Rim Evolution SL X.A.25 29" 32h blk/gry	602	yes
90571	4054571183330	NEWMEN Rim Evolution SL X.A.25 29" 28h blk/gry	602	yes

90572	4054571183347	NEWMEN Rim Evolution SL X.A.25 27,5" 28h blk/gry	564	yes
90726	4054571186140	NEWMEN Rim Evolution SL A.30 29" 32h blk/gry	597	yes
90727	4054571186157	NEWMEN Rim Evolution SL A.30 29" 28h blk/gry	597	yes
90728	4054571186164	NEWMEN Rim Evolution SL A.30 27,5" 32h blk/gry	559	yes
90729	4054571186171	NEWMEN Rim Evolution SL A.30 27,5" 28h blk/gry	559	yes
90573	4054571183354	NEWMEN Rim Evolution SL A.35 29" 32h blk/gry	592	yes
90574	4054571183361	NEWMEN Rim Evolution SL A.35 29" 28h blk/gry	592	yes
90575	4054571183378	NEWMEN Rim Evolution SL A.35 27,5" 32h blk/gry	554	yes
90576	4054571183385	NEWMEN Rim Evolution SL A.35 27,5" 28h blk/gry	554	yes
90585	4054571183477	NEWMEN Rim Evolution SL E.G.30 29" 32h blk/gry	598	yes
90591	4054571183538	NEWMEN Rim Evolution SL E.G.30 29" 28h Silver	598	yes
90586	4054571183484	NEWMEN Rim Evolution SL E.G.30 29" 28h blk/gry	598	yes
90587	4054571183491	NEWMEN Rim Evolution SL E.G.30 27,5" 32h blk/gry	560	yes
90588	4054571183507	NEWMEN Rim Evolution SL E.G.30 27,5" 28h blk/gry	560	yes
90581	4054571183439	NEWMEN Rim Evolution SL E.G.35 29" 32h blk/gry	593	yes
90582	4054571183446	NEWMEN Rim Evolution SL E.G.35 29" 28h blk/gry	593	yes
90583	4054571183453	NEWMEN Rim Evolution SL E.G.35 27,5" 32h blk/gry	555	yes
90584	4054571183460	NEWMEN Rim Evolution SL E.G.35 27,5" 28h blk/gry	555	yes
Advanced (carbon)				
90017	4054571041272	NEWMEN Rim Advanced SL X.22 29" 28h	602	yes
90519	4054571181442	NEWMEN Rim Advanced SL X.A.25 29" 28h	600	no
90520	4054571181459	NEWMEN Rim Advanced SL X.A 30 27,5" 28H	559	no
90521	4054571181466	NEWMEN Rim Advanced SL X.A.30 29" 28h	597	no
90522	4054571181473	NEWMEN Rim Advanced SL A.30 27,5" 28h	559	no
90523	4054571181480	NEWMEN Rim Advanced SL A.30 29" 28h	597	no

* if Washer is required, +2mm are included in spoke support diameter

- A Spoke support diameter measurements are taken directly at the nipple seats!
- A Spoke support diameter tolerance +1 mm
- For use with MG-washers, calculate spoke length with above spoke support diameter. Then add 2mm (B) to your calculated spoke length.
- MG-washers are always required for NEWMEN aluminium rims!
- Recommended Nipple: Sapim Polyax Double Square 14G 16 mm
- ERD = A Spoke support diameter + 2 x nipple head height



A = Spoke support diameter

