

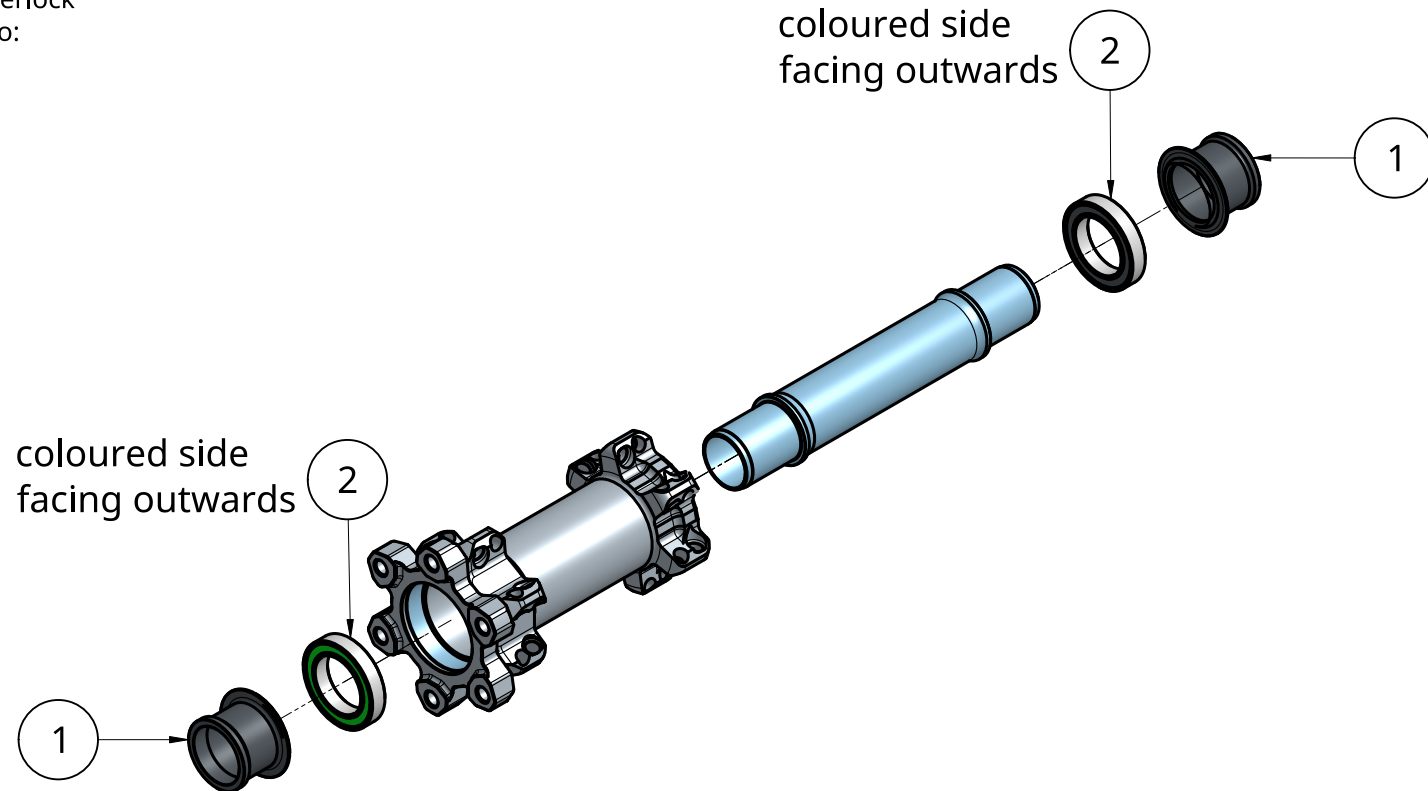
# NEWMEN FADE CS 24h front hub spare parts

**Recommended tools for hub service:**  
 90166 - NEWMEN Endcap Removal Tool 2  
 90153 - NEWMEN Hub Tooling Set V2

POS	ITEM	Description
1	90723	NEWMEN Fade MTB Endcap Set 15 mm
2	90178	BB_CB_17x26x5_CN_LULH

spare parts are suited for 24h Centerlock and 6Bolt front hubs with laser logo:

# FADE CS



<b>NEWMEN</b>			MG-Components GmbH & Co. KG Am Mühlbach 5c 87487 Wiggensbach Germany
DO NOT SCALE DRAWING	SIZE: A4	SCALE: 1:2	SHEET 1 of 4
Alle Informationen unter Vorbehalt. Wir behalten uns Änderungen vor All information subject to change. We reserve the right to make changes			drawing date: 2025-07-07

Weitergabe sowie Vervielfältigung dieses Dokuments, Verwertung und Mitteilung seines Inhalts sind verboten, soweit nicht ausdrücklich gestattet. Zuwiderhandlungen verpflichten zu Schadensersatz. Alle Rechte für den Fall der Patent-, Gebrauchsmuster- oder Geschmacksmustereintragung vorbehalten.  
 The copying, distribution and utilization of this document as well as the communication of its contents to others without expressed authorization is prohibited. Offenders will be held liable for the payment of damages. All rights reserved, in particular the right to carry out patent, utility or ornamental design registration.

## NEWMEN FADE CS 12x148 rear hub spare parts

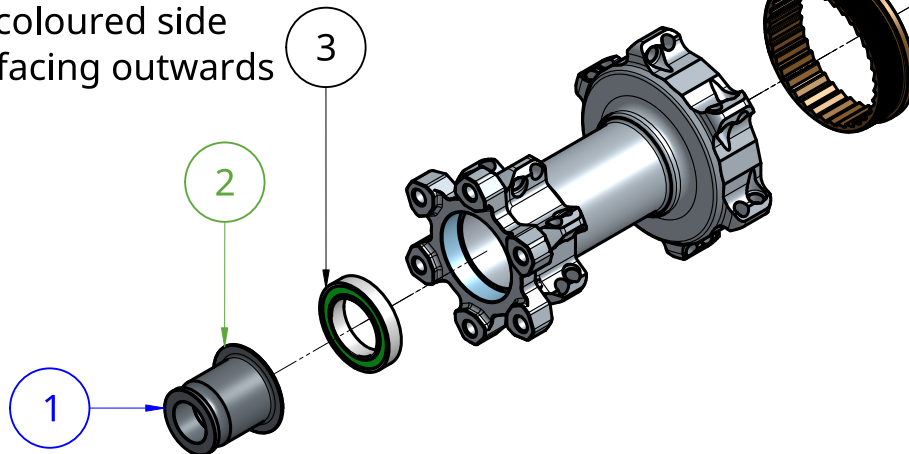
POS	ITEM	Description
1	90717	NEWMEN Fade MTB Endcap Set 12 mm MS
2	90718	NEWMEN Endcap Set 12mm
3	90178	BB_CB_17x26x5_CN_LULH
4	90180	BB_CB_17x30x7_CN_LULH
5	90713	NEWMEN Fade MTB Freewheel Set MS
6	90715	NEWMEN Fade MTB Freewheel Set XD
7	90714	NEWMEN Fade MTB Freewheel Set HG

spare parts are suited for 24h Centerlock and 6Bolt front hubs with laser logo:

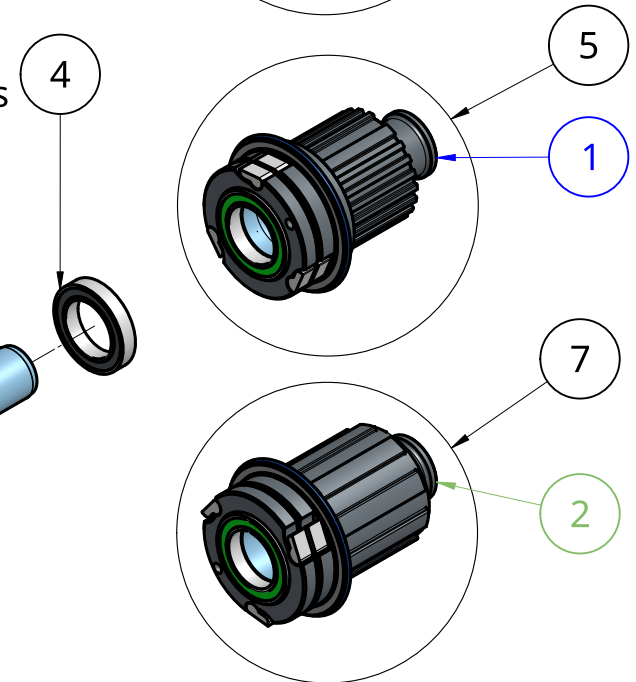
# FADE CS

**Recommended tools for hub service:**  
 90166 - NEWMEN Endcap Removal Tool 2  
 90153 - NEWMEN Hub Tooling Set V2

coloured side facing outwards



coloured side facing outwards



<b>NEWMEN</b>		MG-Components GmbH & Co. KG Am Mühlbach 5c 87487 Wiggensbach Germany	
DO NOT SCALE DRAWING	SIZE: A4	SCALE: 1:2	SHEET 2 of 4
Alle Informationen unter Vorbehalt. Wir behalten uns Änderungen vor All information subject to change. We reserve the right to make changes			drawing date: 2025-07-07

## NEWMEN FADE CS 12x157 rear hub spare parts

POS	ITEM	Description
1	90717	NEWMEN Fade MTB Endcap Set 12 mm MS
2	90718	NEWMEN Endcap Set 12mm
3	90178	BB_CB_17x26x5_CN_LULH
4	90180	BB_CB_17x30x7_CN_LULH
5	90713	NEWMEN Fade MTB Freewheel Set MS
6	90715	NEWMEN Fade MTB Freewheel Set XD
7	90714	NEWMEN Fade MTB Freewheel Set SH

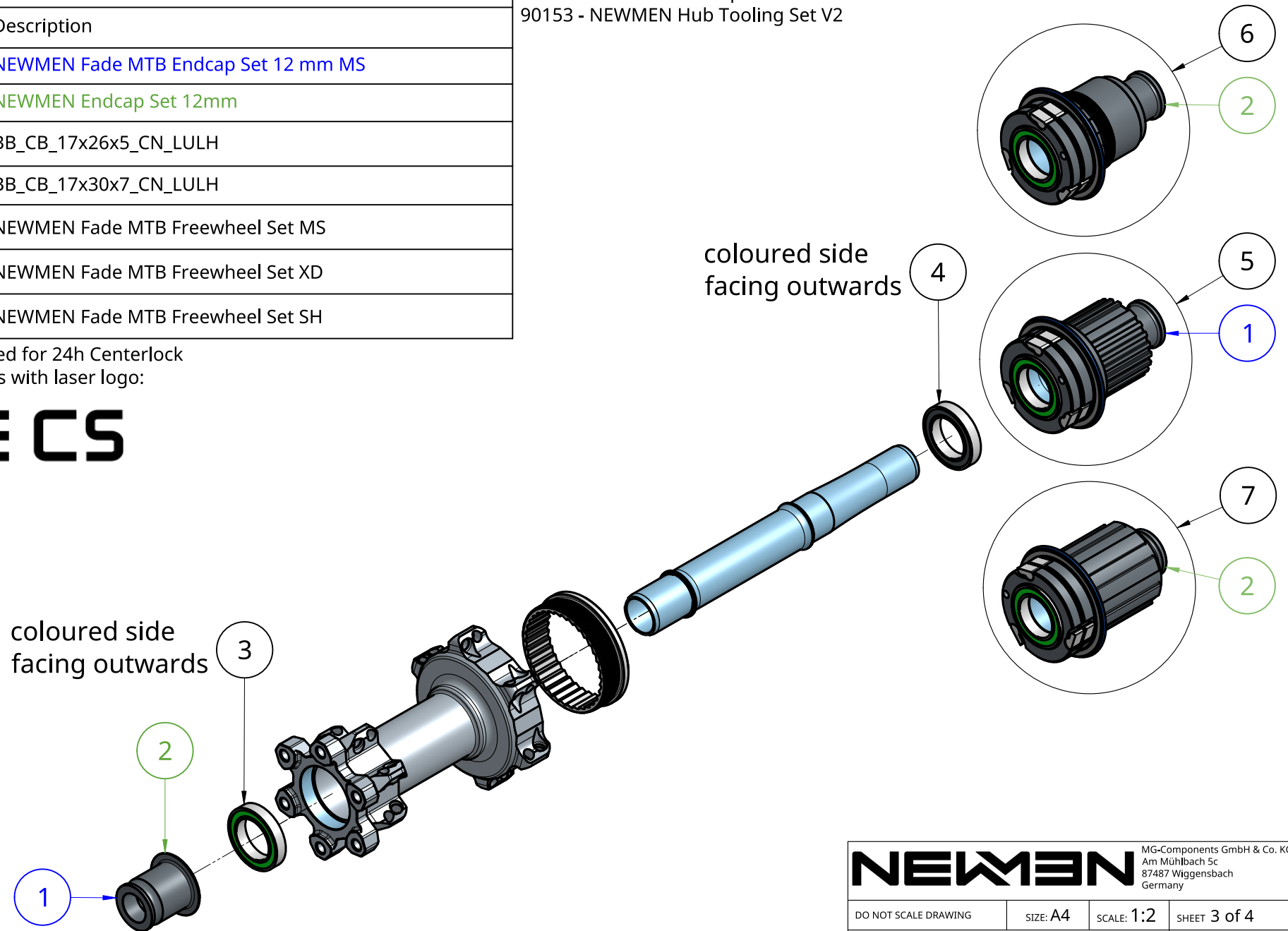
spare parts are suited for 24h Centerlock and 6Bolt front hubs with laser logo:

# FADE CS

### Recommended tools for hub service:

90166 - NEWMEN Endcap Removal Tool 2

90153 - NEWMEN Hub Tooling Set V2



<b>NEWMEN</b>		MG-Components GmbH & Co. KG Am Mühlbach 5c 87487 Wiggensbach Germany	
DO NOT SCALE DRAWING	SIZE: A4	SCALE: 1:2	SHEET 3 of 4
Alle Informationen unter Vorbehalt. Wir behalten uns Änderungen vor All information subject to change. We reserve the right to make changes			drawing date: 2025-07-07

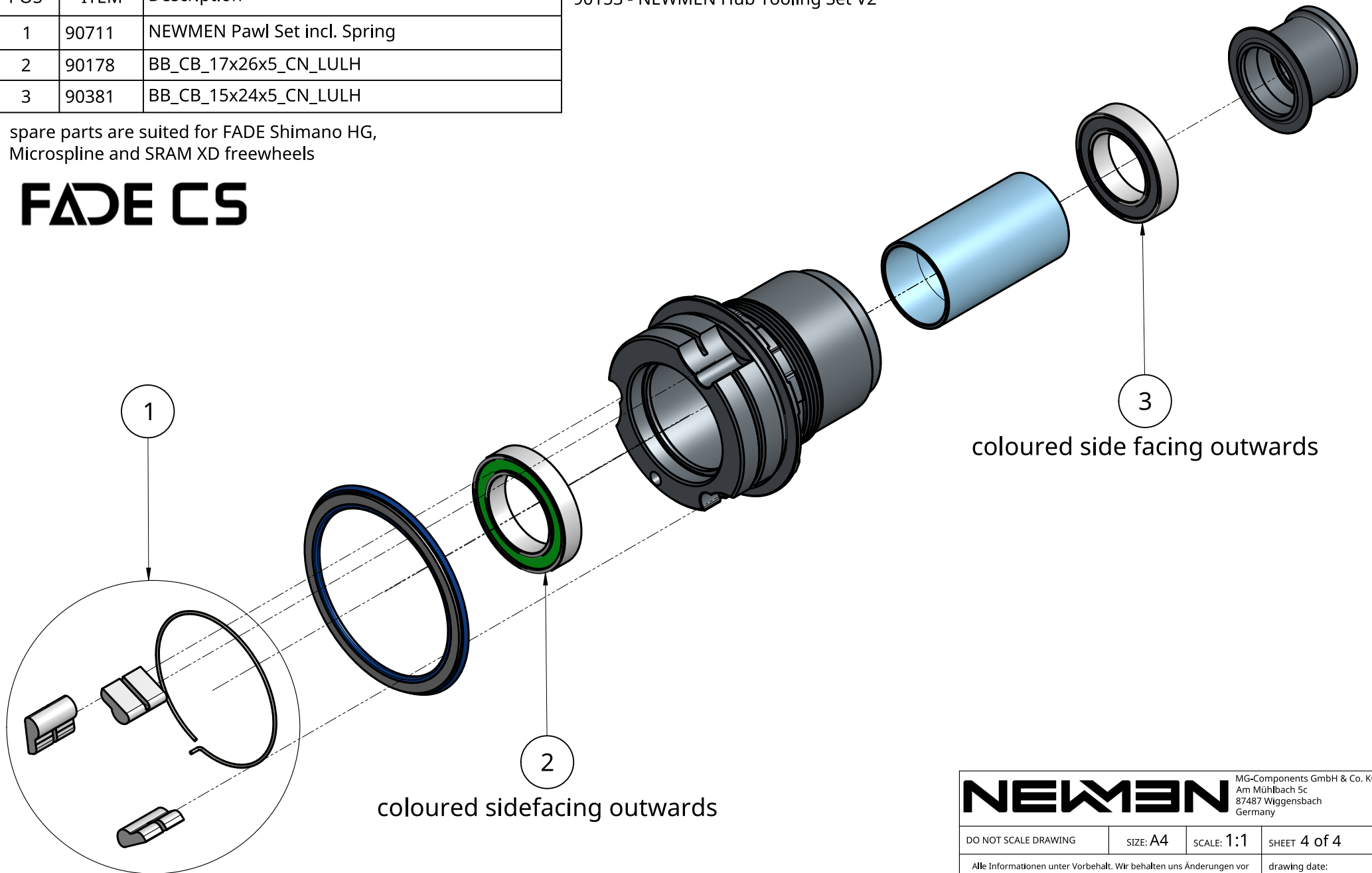
## NEWMEN freewheel FADE CS spare parts

POS	ITEM	Description
1	90711	NEWMEN Pawl Set incl. Spring
2	90178	BB_CB_17x26x5_CN_LULH
3	90381	BB_CB_15x24x5_CN_LULH

Recommended tools for hub service:  
 90166 - NEWMEN Endcap Removal Tool 2  
 90153 - NEWMEN Hub Tooling Set V2

spare parts are suited for FADE Shimano HG,  
 Microspline and SRAM XD freewheels

# FADE CS



<b>NEWMEN</b>		MG-Components GmbH & Co. KG Am Mühlbach 5c 87487 Wiggensbach Germany	
DO NOT SCALE DRAWING	SIZE: A4	SCALE: 1:1	SHEET 4 of 4
Alle Informationen unter Vorbehalt. Wir behalten uns Änderungen vor All information subject to change. We reserve the right to make changes			drawing date: 2025-07-07